



XPRS12

XPRS Series

12-INCH TWO-WAY FULL RANGE SPEAKERS

Get the audience going with the XPRS Series of high-powered active speakers. The compact, portable, wooden enclosure XPRS Series combines Pioneer Pro Audio sound engineering heritage with the reliable, energy efficient power of Powersoft amps – to give you a versatile plug-and-play system that fills the room with a natural sound.

KEY FEATURES

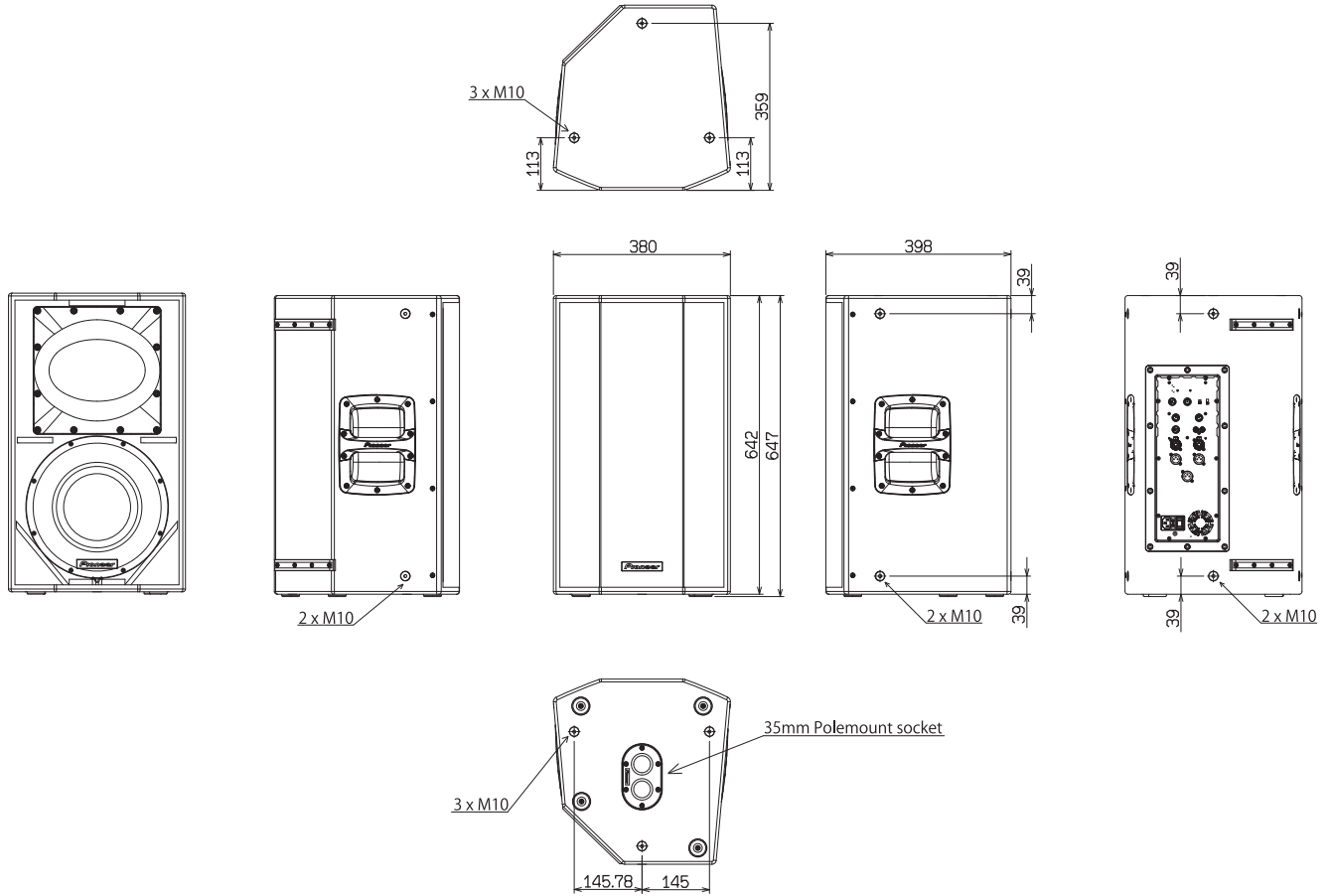
- Two-way full range speaker with 12-inch LF driver and a 1.75-inch titanium diaphragm compression driver
- Powersoft Class D 2400 W amps for reliable, high-powered performance
- Advanced protection features help prolong your speakers' life
- Four EQ modes for a variety of genres and environments
- Wide dispersion of 90 × 60 degrees, with rotatable horn for horizontal installation
- Wedge shape and polemount socket with tilt for a choice of three positions
- Impact resistant textured paint finish
- Multiple inputs and outputs for flexible, easy set-up

SPECIFICATIONS

Speaker type	12" 2-way full range, bass reflex, bi-amp, active speaker
Frequency response(-10 dB)	50 Hz to 20 kHz
Dispersion (H × V)	90° × 60° (rotatable)
Maximum SPL (peak@1m/1w)	135 dB
Crossover frequency	2.0 kHz
Amplifier type	Class D
Power rating	2400 W peak / 1200 W cont. (LF800 W/HF400 W)
Input connectors	2 × XLR/TRS combo (balanced), 2 × RCA (unbalanced)
Input impedance	10 kΩ
Output connectors	2 × Through output XLR (balanced) 1 × Mixed output XLR (balanced)
LF driver	12-inch ferrite LF cone driver
HF driver	1.75-inch titanium diaphragm neodymium compression driver
Enclosure	15 mm birch plywood, bass reflex type
Finish	Impact-resistant, black semi-matt textured
Handle	2 (on both sides)
Pole socket	35 mm socket (0°/7° multi-angle)
Rigging point	12 × M10
Amplifier protection	Thermal limiting, over-temperature muting, output overcurrent
Driver protection	DC offset removal, high frequency stationary loud signals, input voltage limiter (Peak/RMS)
Power unit Protection	Primary AC mains overvoltage protection, Primary AC mains overcurrent protection
Supported voltages	100 V (50 Hz/60 Hz) / 110 V to 240 V (50 Hz/60 Hz)
Power consumption	167 W
Dimensions (W × H × D)	380 × 647 × 398 mm (15 × 25.5 × 15.7 inch)
Weight	23.1 kg (50.9 lbs)

XPRS12

TECHNICAL DRAWING



APPLICATION

Clubs / Bars / Houses of Worship / Live sound

IMAGES



AMPLIFIER MODULE

